

200-064ST-PRO  
200-064ST-PRO-I (Ice class)

**5 NAUTICAL MILES  
360° WHITE MANOEUVRING LIGHT  
DOUBLE, HORIZONTALLY MOUNTED**

The double LED light consists of two (2) individual lights which can be activated separately. One is dedicated as the primary, the other the secondary.

The Ice class version of the light features a built-in 25W heating element with a temperature sensor that activates when temperatures goes below 3°C. The De-icing is deactivated when temperatures increases to 15°C.

The precision machined 6082 aluminium housing with a hard coated black 50µm anodized surface makes the light a rugged and durable housing for the LEDs and electronics contained within.

The interior is completely filled with a special potting resin making it water- and vibration proof.

Produced in our in-house manufacturing facility to meet and exceed exacting standards such as EN14744 and UL1104, under a quality management system continuously surveyed by Lloyds Register Quality Assurance.

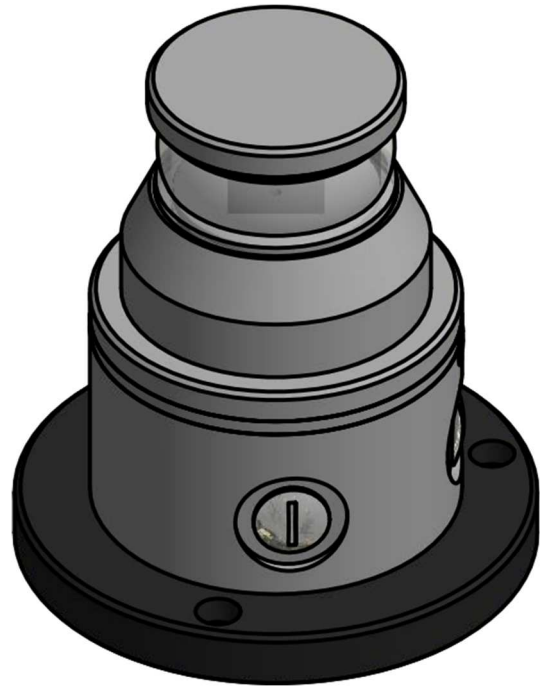
Each light is subjected to final testing for a minimum of 16 hours of continuous operation bringing the total test time beyond 24 hours.

This navigation light is in compliance with the following standards:

- COLREG72
- EN14744
- IEC 60945
- USCG (UL1104)

Together with an appropriate Control & Monitoring System, such as Lopolight's own NLC\* this navigation light can form part of an IMO MSC 253(83), LY3 and LY4 compliant system.

\*) information found here: [www.lopolight.com/NlcPanel](http://www.lopolight.com/NlcPanel)



## Technical specifications

Vessel size: **All vessel sizes**

Visibility: **>5 nautical miles**

Intensity: **>300 cd**

Power consumption:

200-064ST-PRO **6 Watt; Current: 0,5A @ 12 VDC - 0,25A @ 24 VDC**

200-064ST-PRO-I: **6 Watt / 31 Watt; Current: 0,25A / 1,3A @ 24 VDC**

Operating voltage:

200-064ST-PRO: **10 - 32 VDC**

200-064ST-PRO-I: **21 - 32 VDC**

Number of LEDs: **8 / 8**

Light colour: **White**

Operating temperature:

200-064ST-PRO: **-25°C to +55°C**

200-064ST-PRO-I: **-60°C to +55°C**

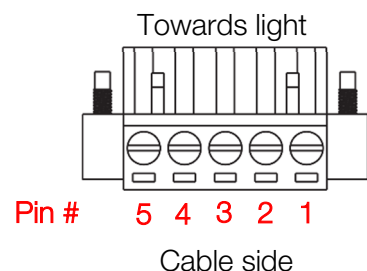
IP Rating: **IP68**

Mounting: **Horizontal**

Cable entry: **4 M20x1.5 thread borings for cable glands located on the side and bottom (see drawing for details).**

Connector: **Accepts leads between 0,25 - 4mm<sup>2</sup> / 12 - 24 AWG.**

- Pin 1 - Primary light power
- Pin 2 - Primary light GND
- Pin 3 -Not used
- Pin 4 - Secondary light power
- Pin 5 - Secondary light GND



Certification: **The product is certified by Lloyds (LR) and certificates can be found on [www.lopolight.com](http://www.lopolight.com) under certificates.**

The product is in compliance with the following standards:  
**COLREG72/ EN14744 / IEC 60945 / USCG (UL1104)**

The product is in compliance with the following standards:  
**COLREG72/ EN14744 / IEC 60945 / USCG (UL1104)**

Dimensions: **See drawing**

Weight: **1,25kg**

### Warranty:

Lopolight products are covered by a 5-year limited warranty.

Warranty conditions can be found on [www.lopolight.com/Service](http://www.lopolight.com/Service)

Included in the package:

- 1 pc. Double navigation light on 400-034 aluminium base
- 1 pc. HDPE base plate
- 3 pcs. M6x14 screw
- 2 pcs. M20x1.5 cable gland (cable diameters 7 – 13mm / 0.23' - 0.51')
- 2 pcs. M20x1.5 blinding cap
- 1 pc. Connector plug, 5 PIN
- 2 pcs. M20/M16 reduction kit (cable diameters 4,5 – 10mm / 0.18' - 0.39')
- Installation instructions

## Ordering information

BASE OPTION	PART NUMBER BLACK FINISH
400-034 (drawing B - E) CSCD base	200-064ST-PRO
400-034 (drawing B - E) CSCD base	200-064ST-PRO-I

## Cabling options

### 200-064ST-PRO

Cable length	Part number
2m / 6.6' 2-lead 0,5mm <sup>2</sup> / 20AWG cable with connector	400-300-2M
4m / 13.1' 2-lead 0,5mm <sup>2</sup> / 20AWG cable with connector	400-300-4M
6m / 19.7' 2-lead 0,5mm <sup>2</sup> / 20AWG cable with connector	400-300-6M
10m / 32.8' 2-lead 0,5mm <sup>2</sup> / 20AWG cable with connector	400-300-10M
12m / 39.4' 2-lead 0,5mm <sup>2</sup> / 20AWG cable with connector	400-300-12M
15m / 49.1' 2-lead 0,5mm <sup>2</sup> / 20AWG cable with connector	400-300-15M
20m / 65.6' 2-lead 0,5mm <sup>2</sup> / 20AWG cable with connector	400-300-20M

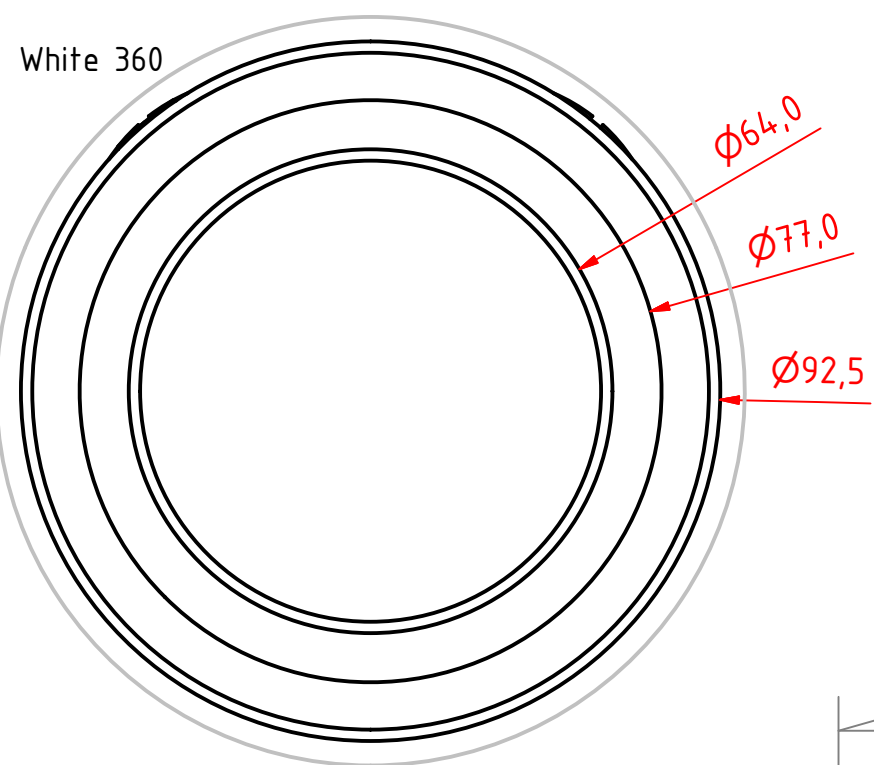
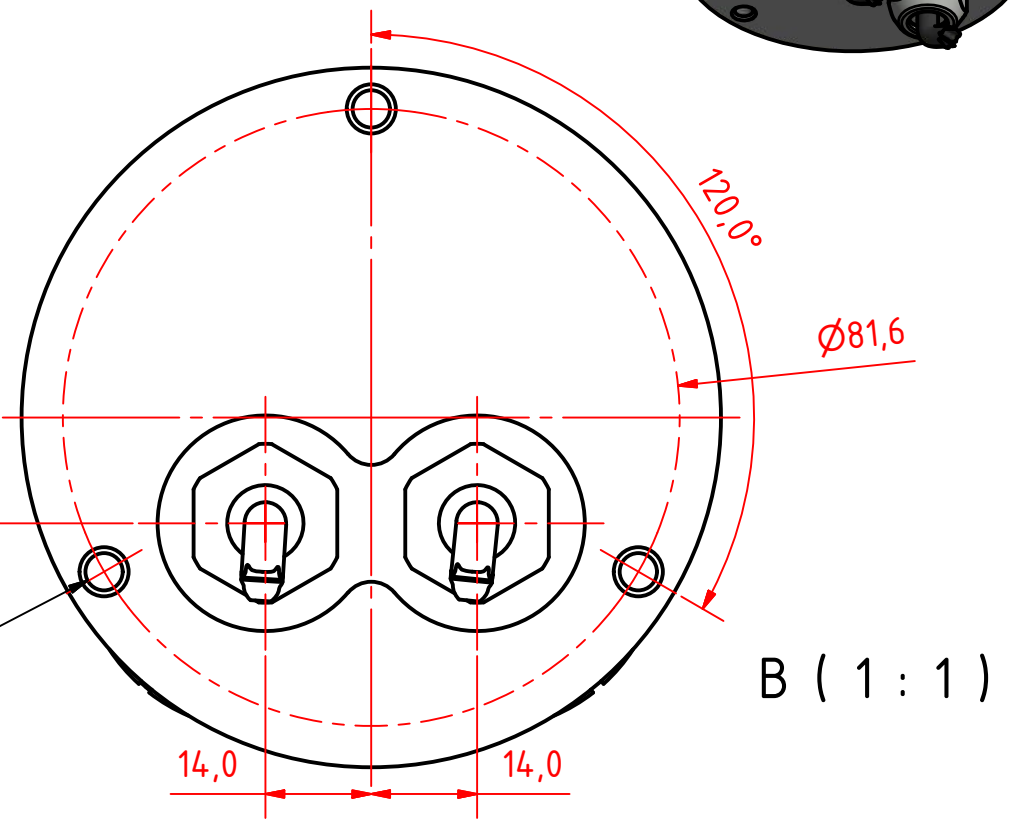
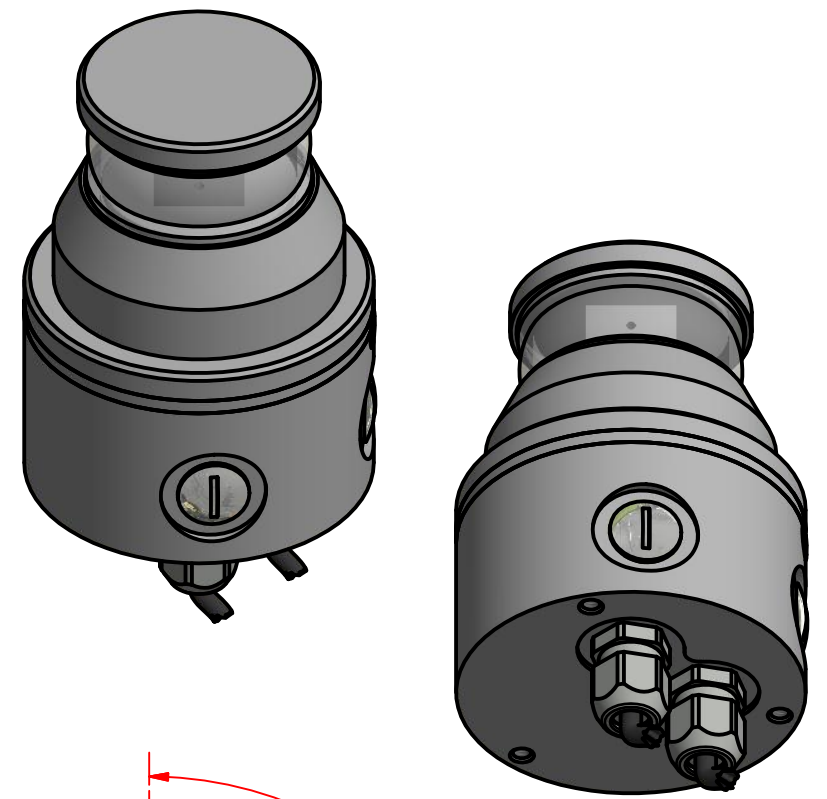
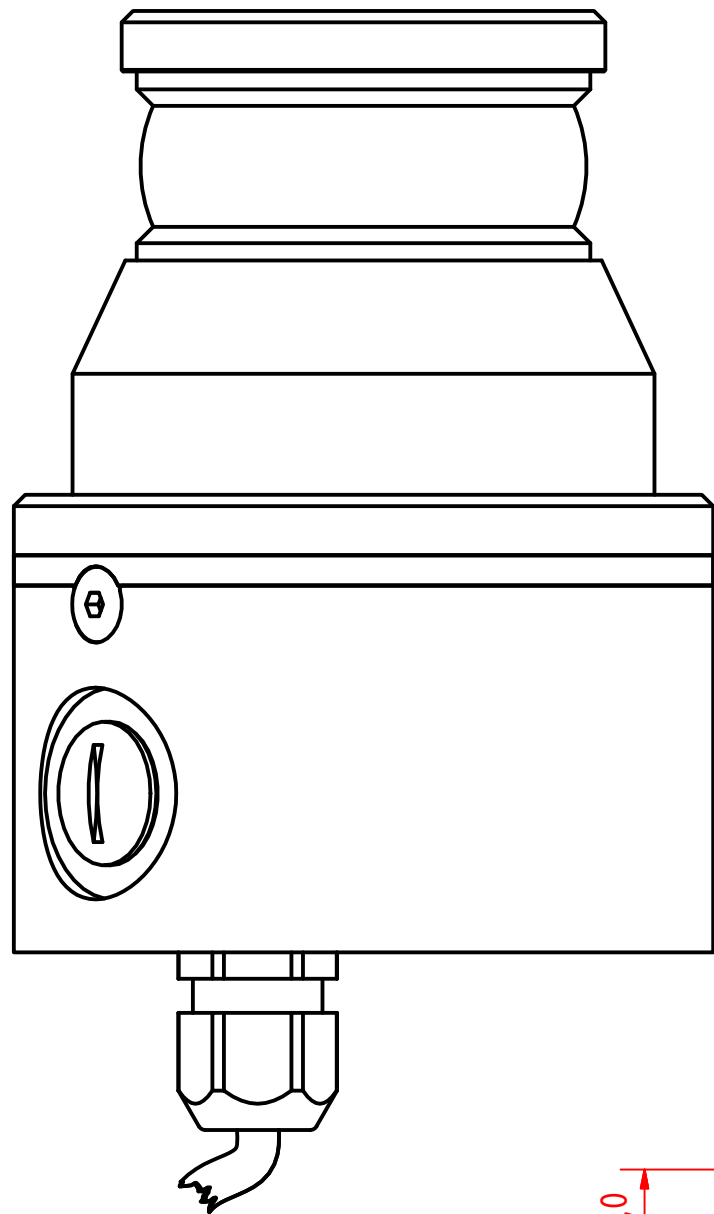
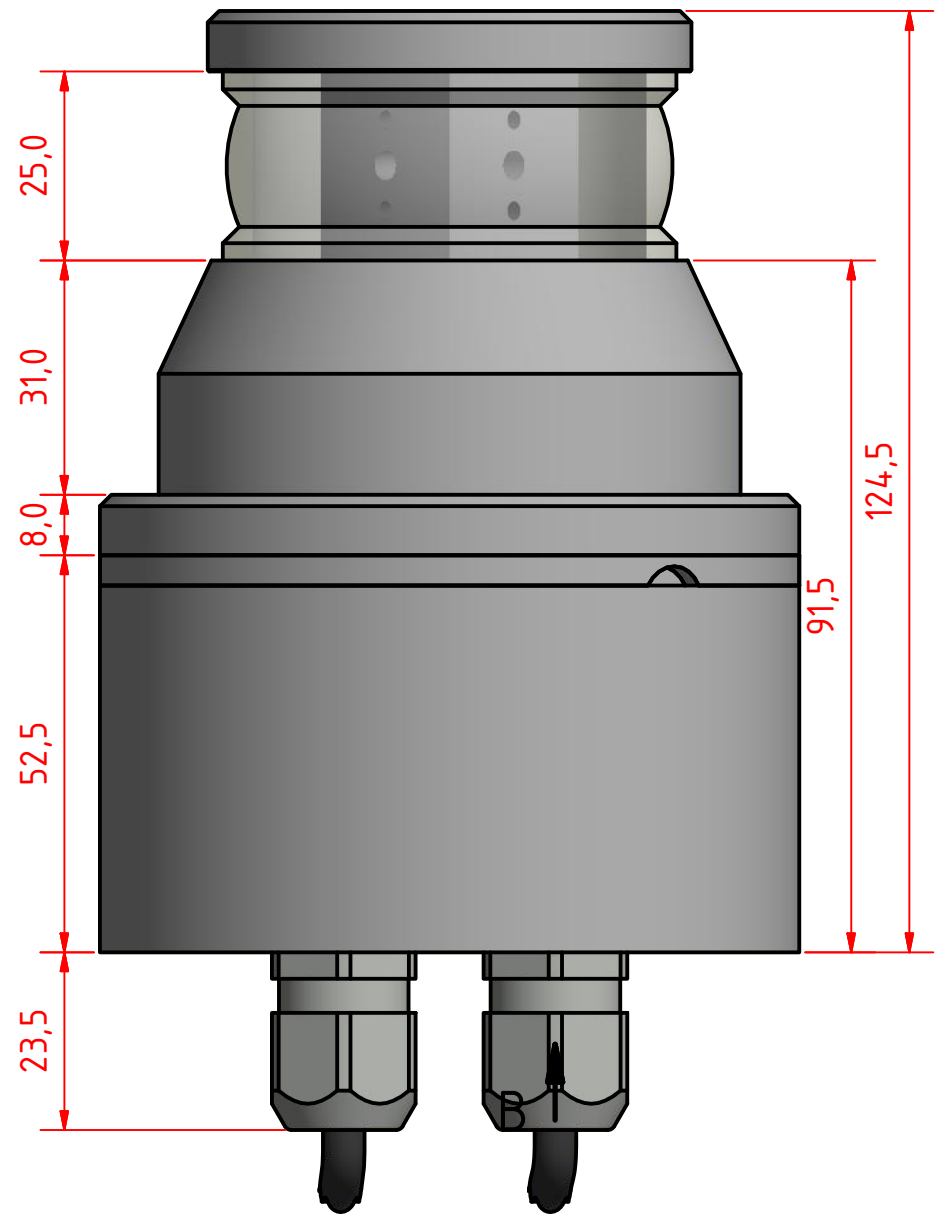
Please refer to our cable dimensions chart in regard to which cable size to use if any other lengths than listed above is required.

<https://lopolightwebcontent.blob.core.windows.net/downloads/lopolight%20cable%20dimensions%20chart.pdf>

### 200-064ST-PRO-I

Please refer to our cable dimensions chart in regard to which cable size to use when installing Ice class lights.

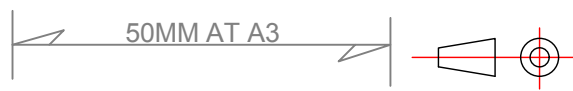
<https://lopolightwebcontent.blob.core.windows.net/downloads/lopolight%20cable%20dimensions%20chart.pdf>

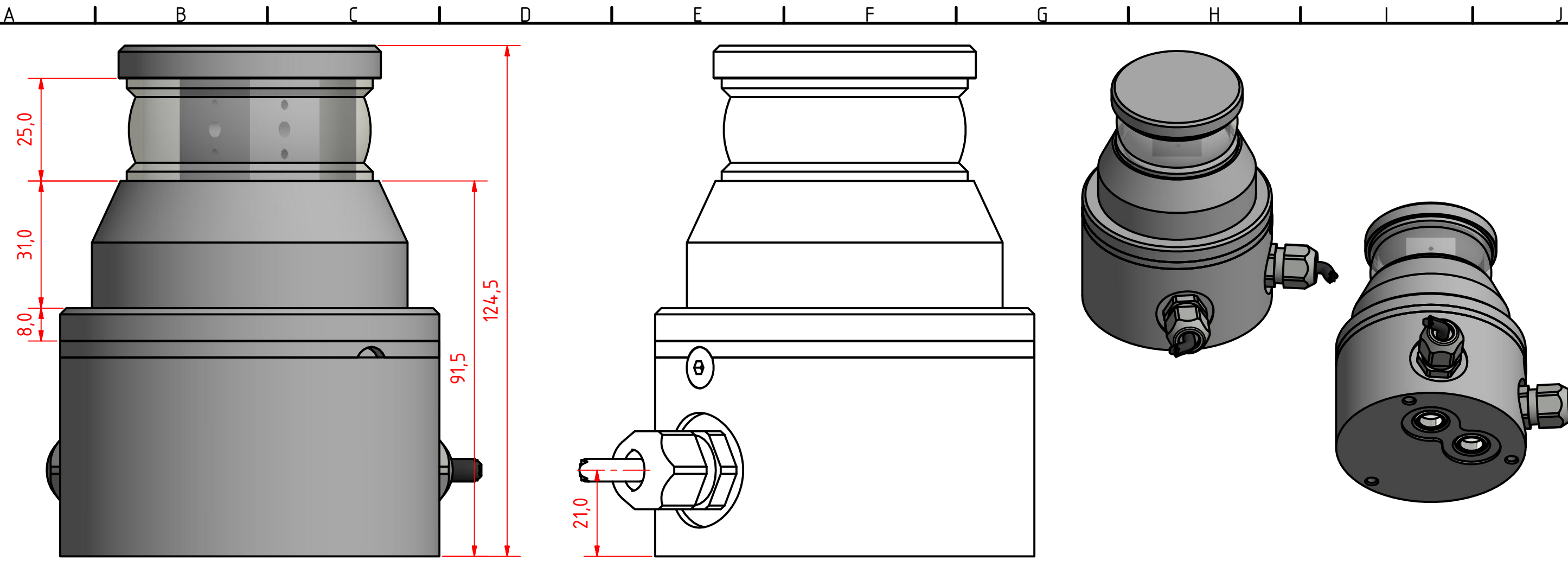


Mounting Hole  $\varnothing 4.9$  -10.0 DEEP  
DIN 74 -  $\varnothing 6.5 \times 90.0^\circ$

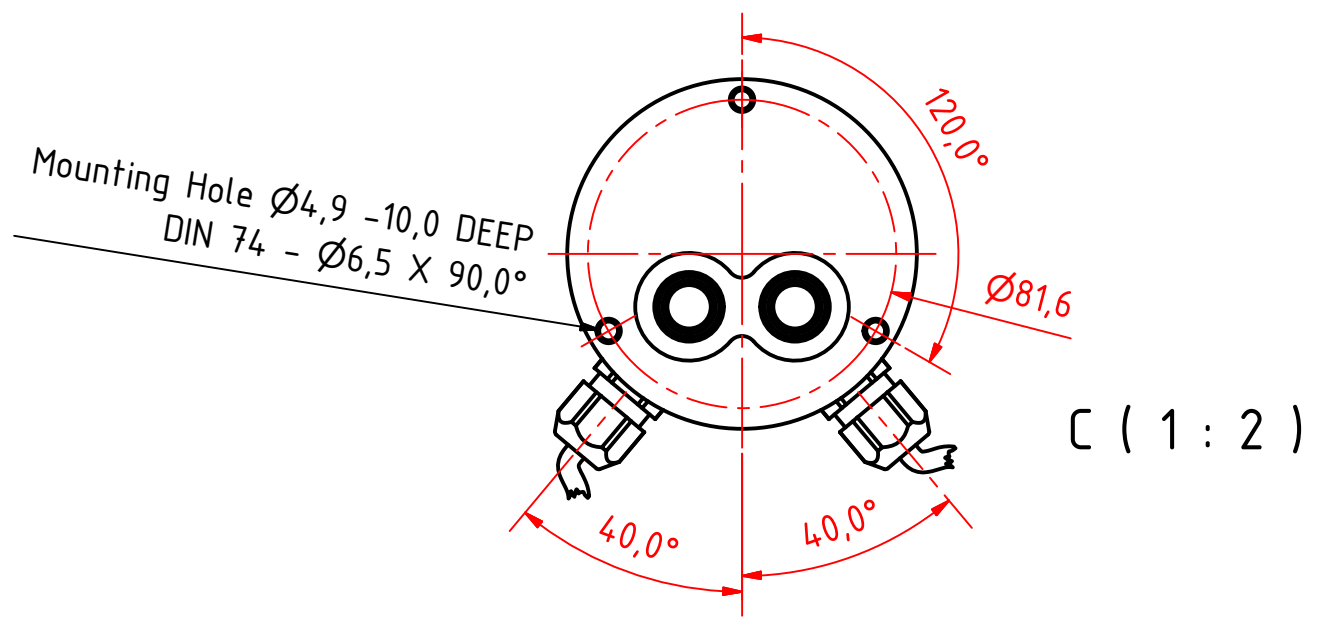
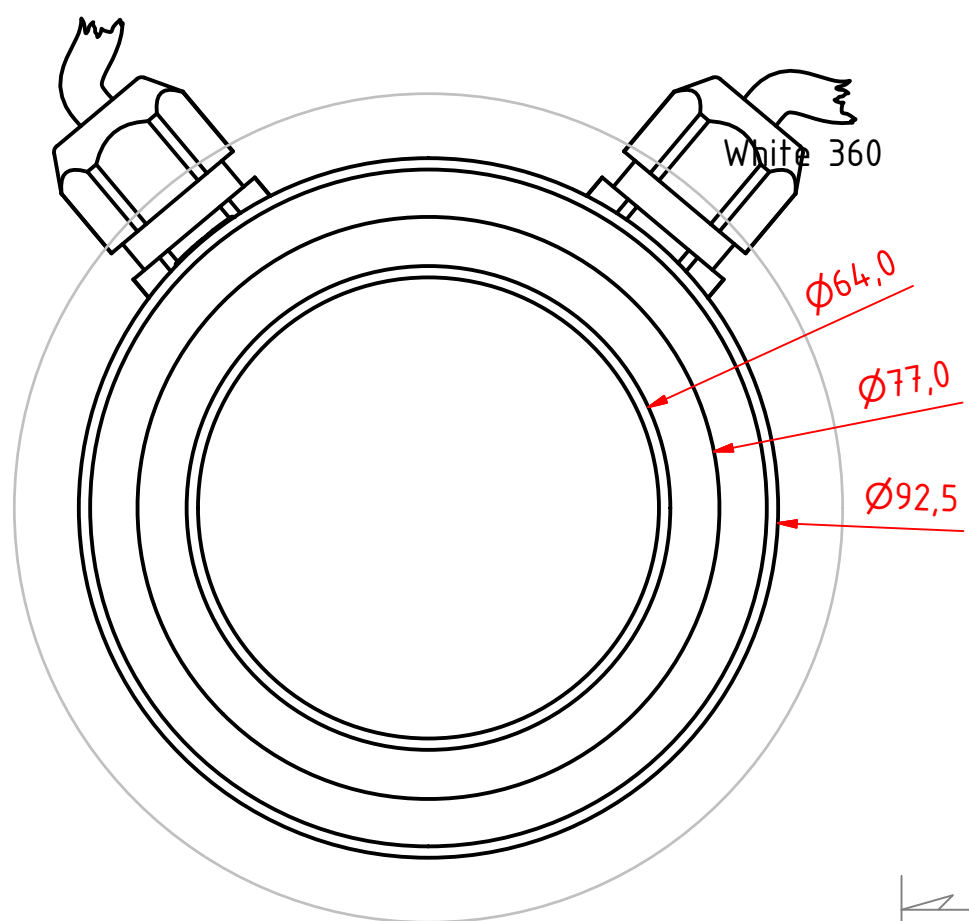
<b>200-064ST 5nm 360 Deg White</b>			
<b>Maneuvering light - Round Housing,</b>			
<b>Promount 400-034. Cable Down.</b>			
DRAWING NO.:	REV. NO.:	SIZE:	DRAWN BY:
200-064BB	0	A3	Sergio
SCALE:	TOLERANCES:	REVIEWED BY:	CREATION DATE:
1:1	DS/ISO 2768-f		27-09-2017
MATERIAL DESCRIPTION:			
EN 6082, Acrylic. (20µ) Silver anodized according to EN ISO 7599 (50µ) Black anodized according to MIL-A 8625F			
This Drawing, and the information within, is the property of Lopolight ApS and may not be used in any form without express permission there from. Lopolight reserves the right to change this drawing and assumes no liability for the information communicated herein. Use of dimensions and other information in this drawing is at the users own risk.			

**LOPOLIGHT**  
 Lopolight ApS  
 Ved Klaedebo 12  
 DK-2970, Hoersholm  
 Denmark  
 www.lopolight.com  
 Tel:(+45) 32 48 50 30 Fax:(+45) 32 48 50 32  
 info@lopolight.com





C ↑



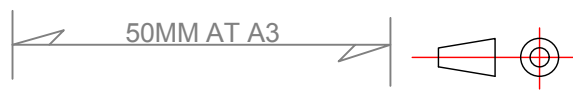
<b>200-064ST 5nm 360 Deg White</b>			
<b>Maneuvering light - Round Housing,</b>			
<b>Promount 400-034. Cable Side.</b>			
DRAWING NO.: <b>200-064CB</b>	REV. NO.: <b>0</b>	SIZE: <b>A3</b>	DRAWN BY: <b>Sergio</b>
SCALE: <b>1:1</b>	TOLERANCES: <b>DS/ISO 2768-f</b>	REVIEWED BY:	CREATION DATE: <b>27-09-2017</b>
MATERIAL DESCRIPTION: <b>EN 6082, Acrylic.</b>			
<small>(20µ) Silver anodized according to EN ISO 7599 (50µ) Black anodized according to MIL-A 8625F</small>			
<small>This Drawing, and the information within, is the property of Lopolight ApS and may not be used in any form without express permission there from. Lopolight reserves the right to change this drawing and assumes no liability for the information communicated herein. Use of dimensions and other information in this drawing is at the users own risk.</small>			

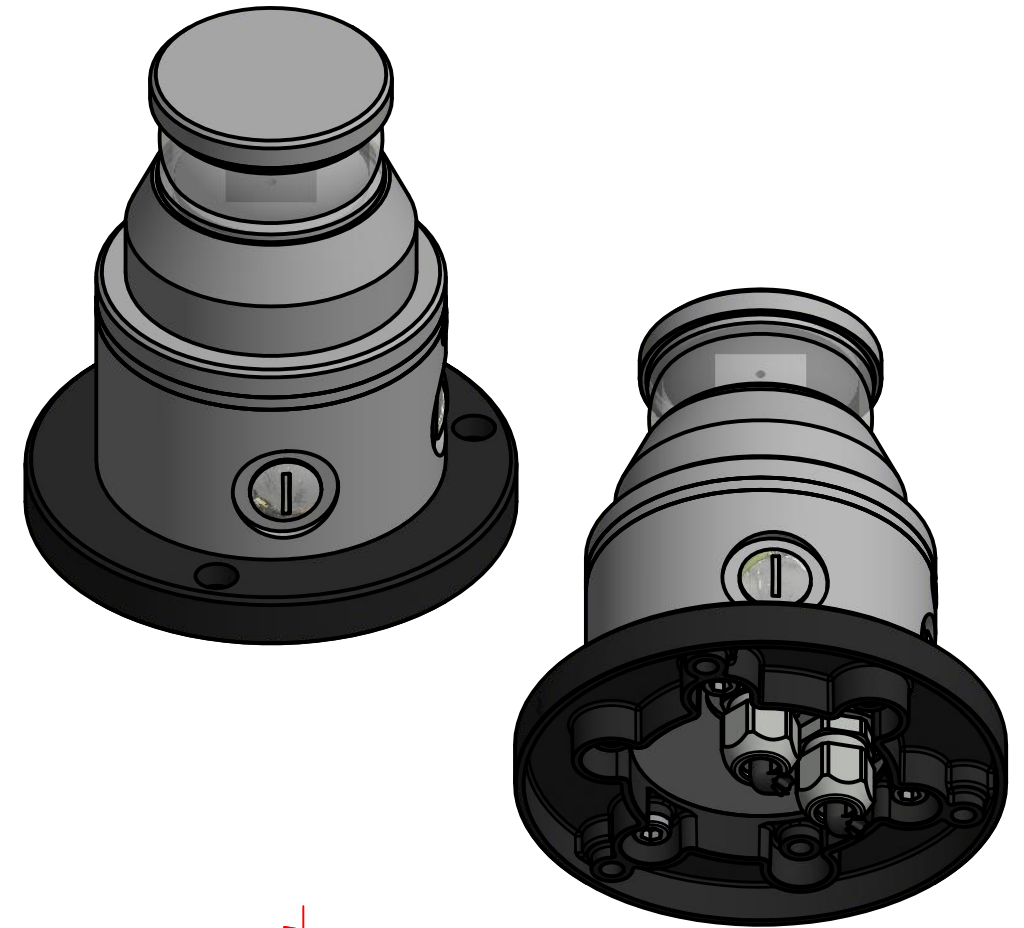
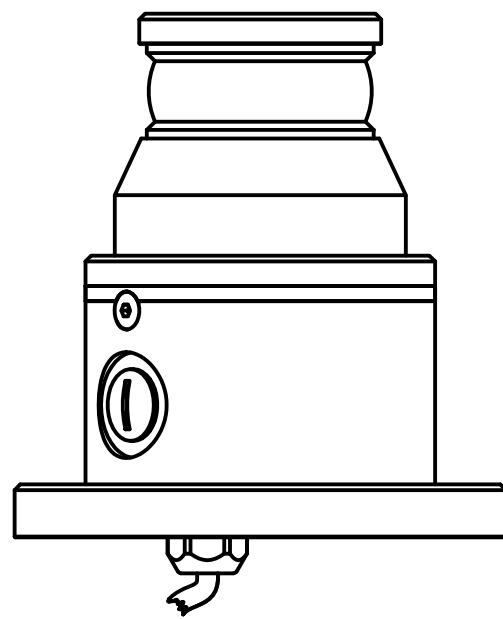
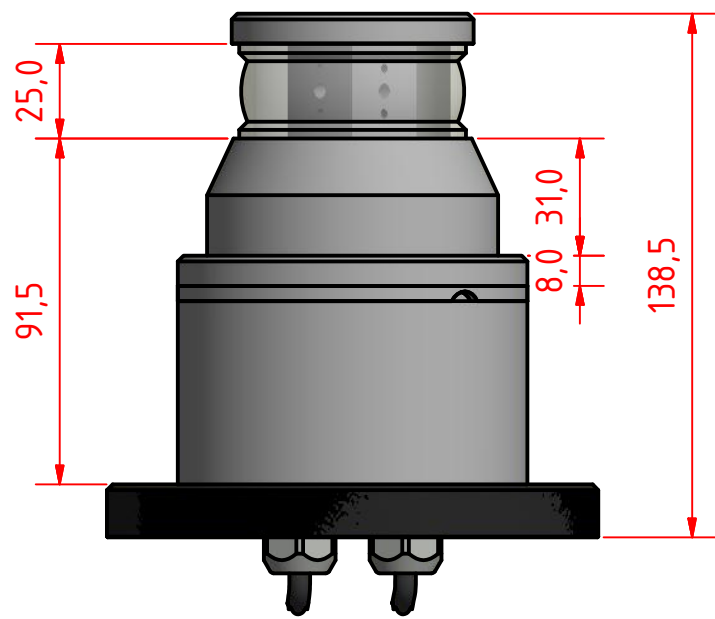
**LOPOLIGHT**

Lopolight ApS  
Ved Klaedebo 12  
DK-2970, Hoersholm  
Denmark

www.lopolight.com

Tel:(+45) 32 48 50 30 Fax:(+45) 32 48 50 32  
info@lopolight.com

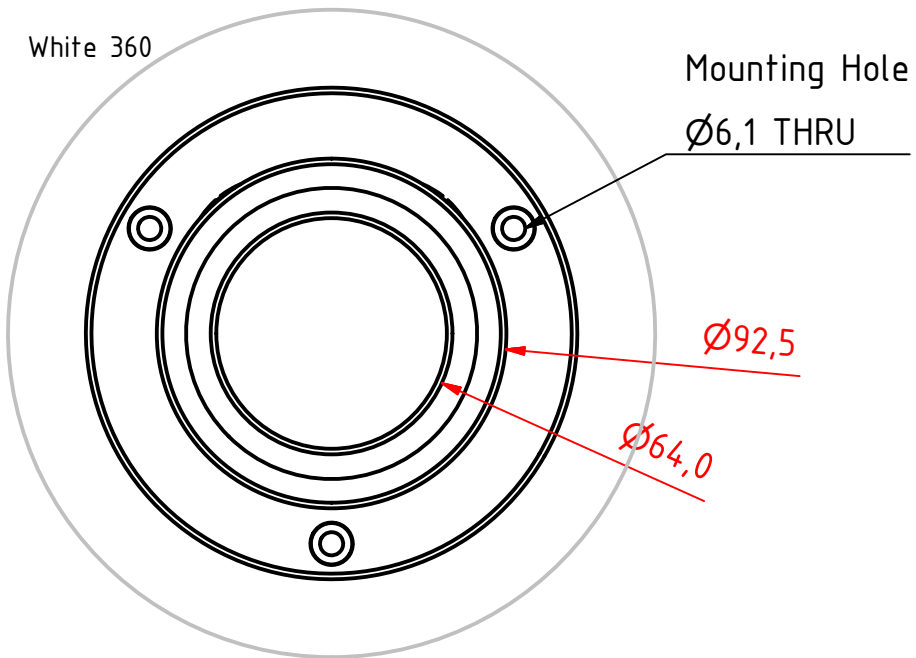




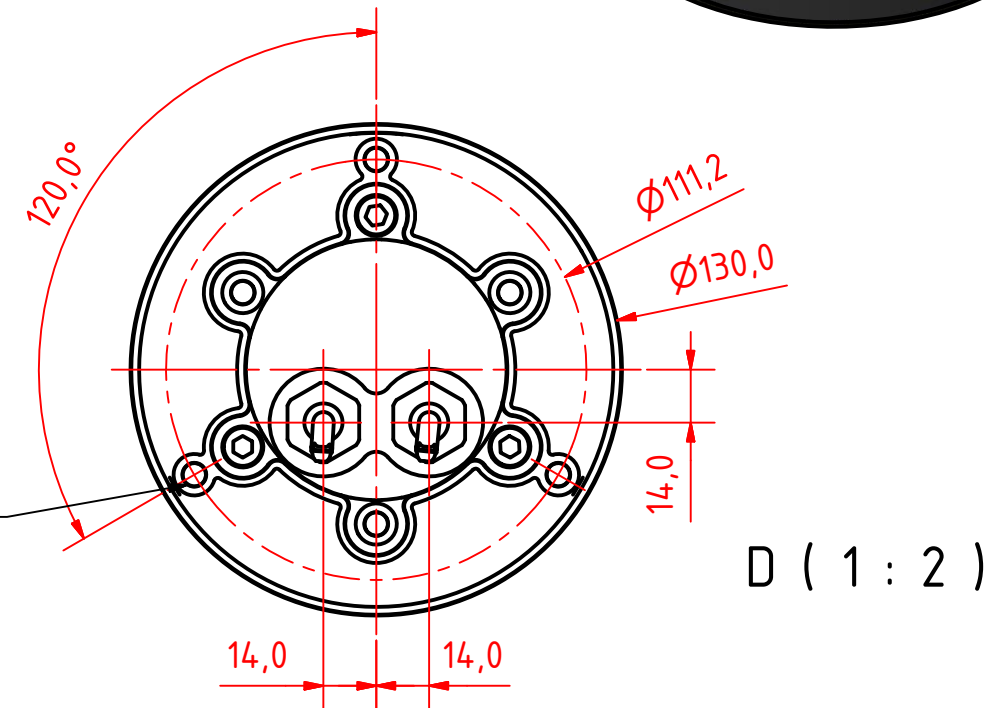
D ↑

White 360

Mounting Hole  
Ø6,1 THRU



Mounting Hole  
Ø6,1 THRU



**200-064ST 5nm 360Deg White Maneuvering light - Round Housing, Promount 400-034. 400-404 PE Base Plate, Cable Down.**

DRAWING NO.: <b>200-064DB</b>	REV. NO.: <b>0</b>	SIZE: <b>A3</b>	DRAWN BY: <b>Sergio</b>
----------------------------------	-----------------------	--------------------	----------------------------

SCALE: <b>1:2</b>	TOLERANCES: <b>DS/ISO 2768-f</b>	REVIEWED BY:	CREATION DATE: <b>27-09-2017</b>
----------------------	-------------------------------------	--------------	-------------------------------------

MATERIAL DESCRIPTION:  
**EN 6082, Acrylic.** (20µ) Silver anodized according to EN ISO 7599 (50µ) Black anodized according to MIL-A 8625F

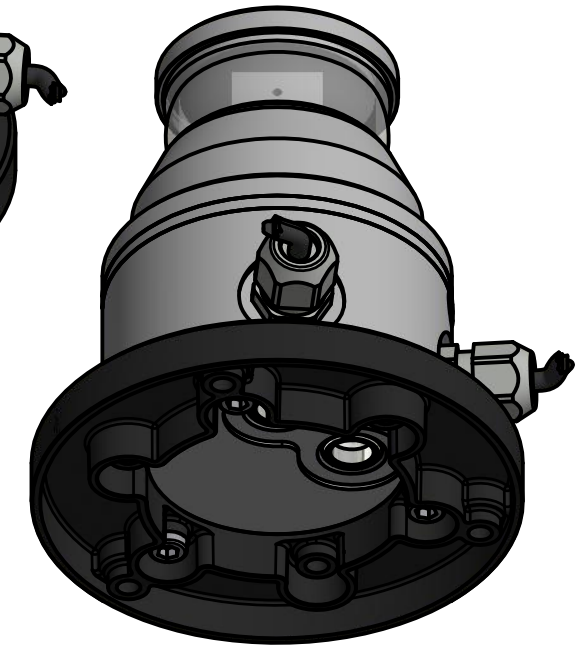
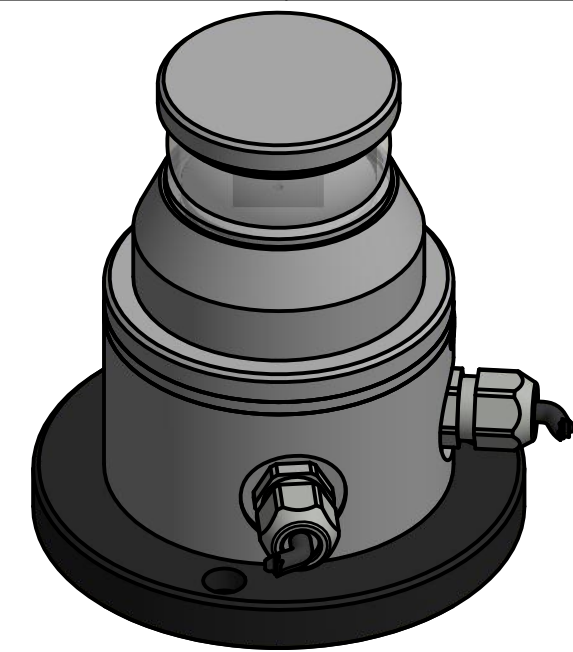
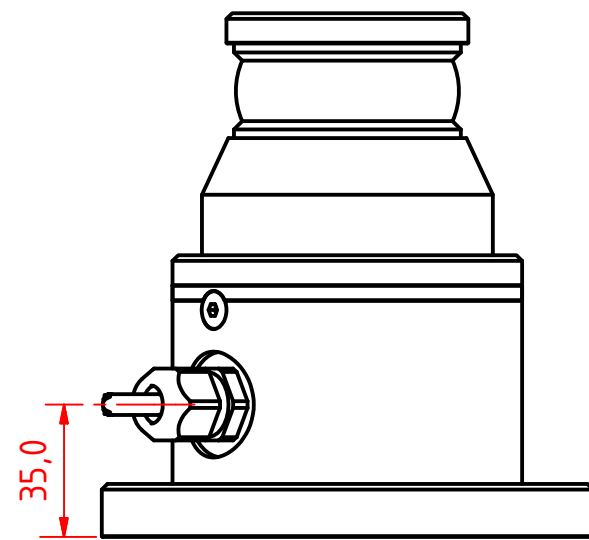
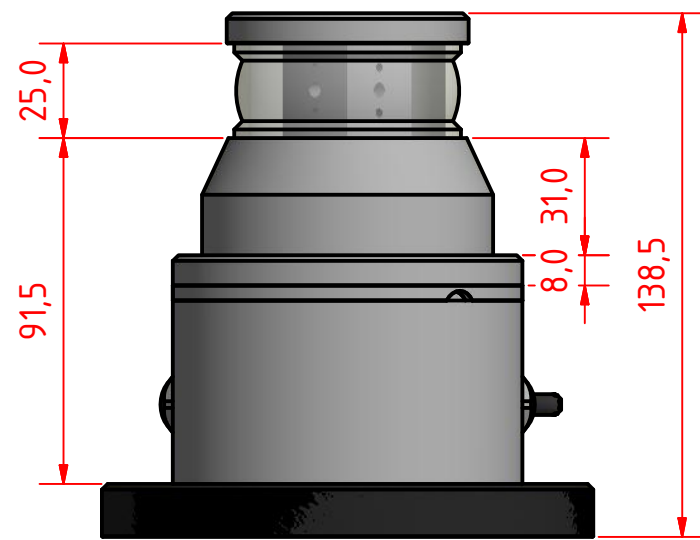
This Drawing, and the information within, is the property of Lopolight ApS and may not be used in any form without express permission there from. Lopolight reserves the right to change this drawing and assumes no liability for the information communicated herein. Use of dimensions and other information in this drawing is at the users own risk.



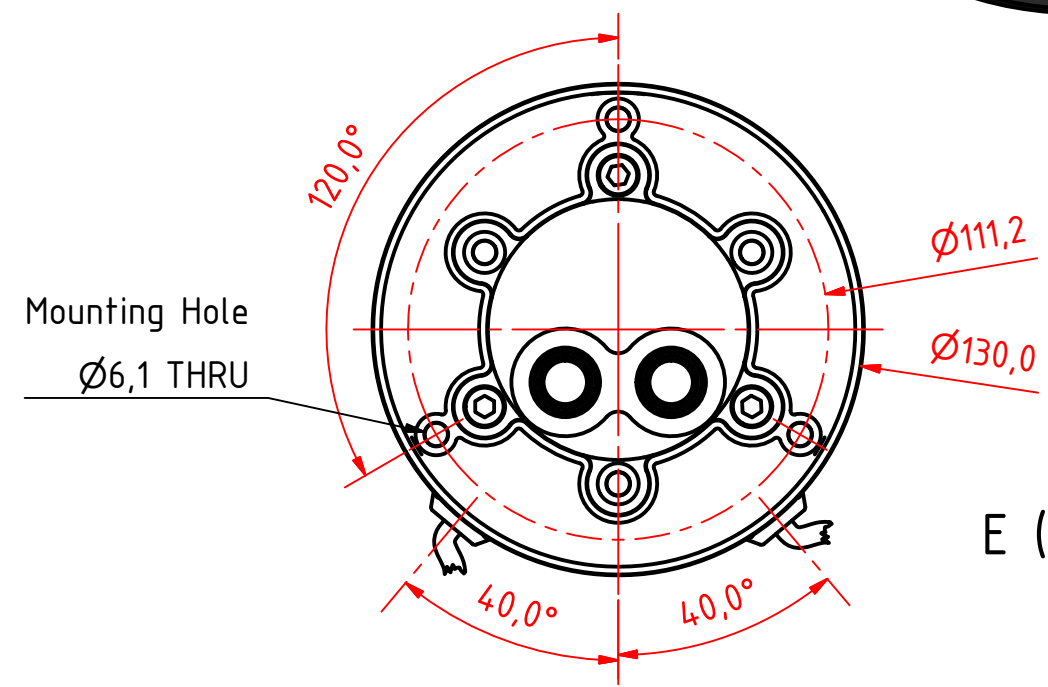
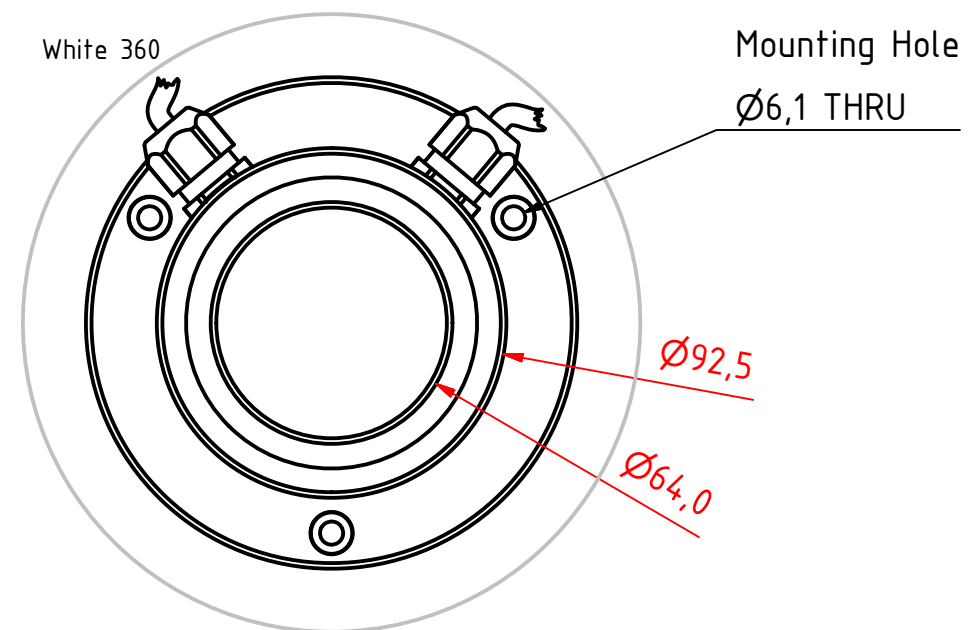
Lopolight ApS  
Ved Klaedebo 12  
DK-2970, Hoersholm  
Denmark  
www.lopolight.com

Tel:(+45) 32 48 50 30 Fax:(+45) 32 48 50 32  
info@lopolight.com





E ↑



E ( 1 : 2 )

<b>200-064ST 5nm 360Deg White Maneuvering light - Round Housing, Promount 400-034. 400-404 PE Base Plate, Cabel Side.</b>			
DRAWING NO.: <b>200-064EB</b>	REV. NO.: <b>0</b>	SIZE: <b>A3</b>	DRAWN BY: <b>Sergio</b>
SCALE: <b>1:2</b>	TOLERANCES: <b>DS/ISO 2768-f</b>	REVIEWED BY:	CREATION DATE: <b>27-09-2017</b>
MATERIAL DESCRIPTION: <b>EN 6082, Acrylic.</b> (20µ) Silver anodized according to EN ISO 7599 (50µ) Black anodized according to MIL-A 8625F			
This Drawing, and the information within, is the property of Lopolight ApS and may not be used in any form without express permission there from. Lopolight reserves the right to change this drawing and assumes no liability for the information communicated herein. Use of dimensions and other information in this drawing is at the users own risk.			

**LOPOLIGHT**  
 Lopolight ApS [www.lopolight.com](http://www.lopolight.com)  
 Ved Klaedebo 12  
 DK-2970, Hoersholm  
 Denmark  
 Tel:(+45) 32 48 50 30 Fax:(+45) 32 48 50 32  
 info@lopolight.com

