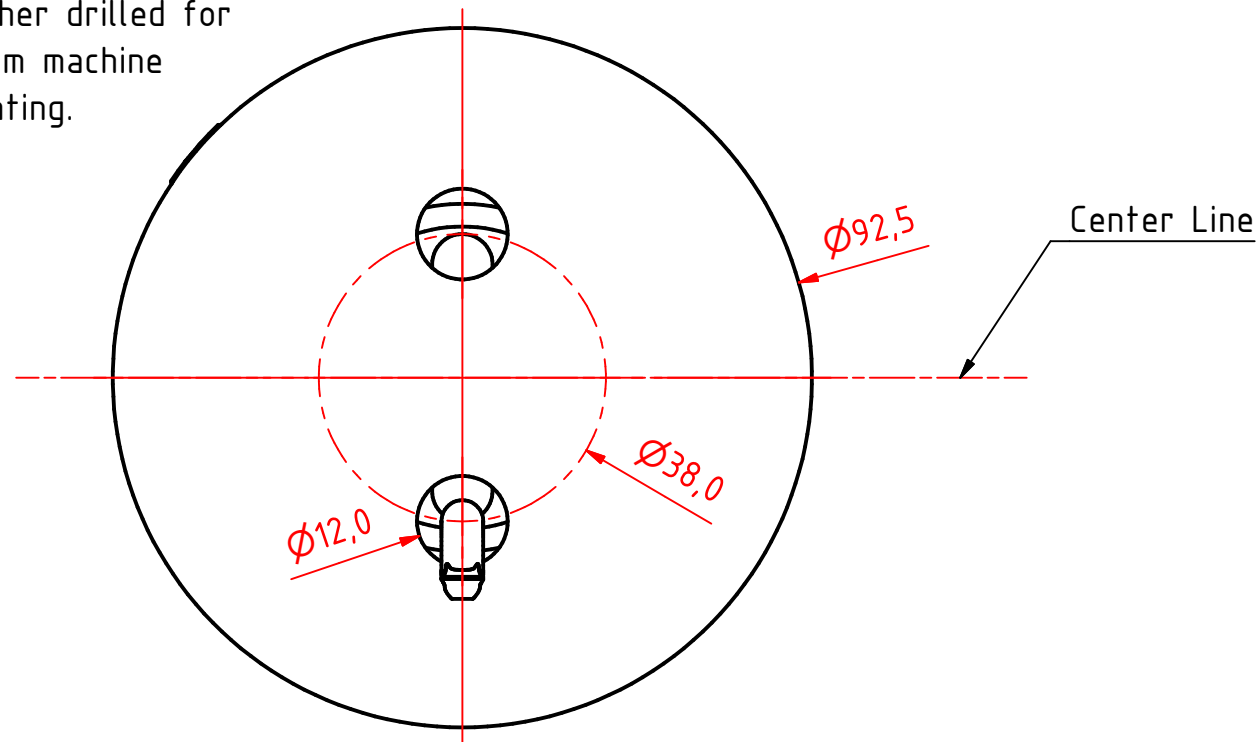
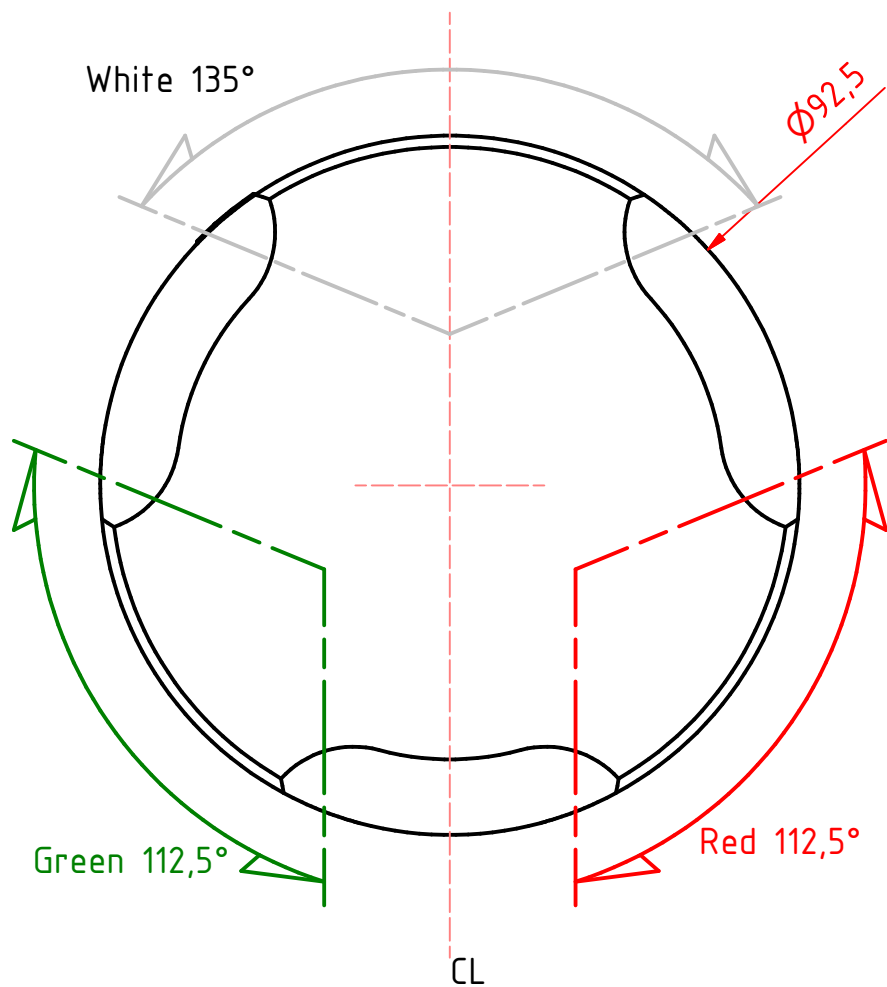


**Note:**  
The PE Plastic base is intended for fitting on site and can be either drilled for mounting screws from above or drilled and tapped from below. 6mm machine screws with nuts and washers are recommended for secure mounting.



201-005 2nm tri-color, HM, on a 400-038 PE std base

|              |               |              |                |
|--------------|---------------|--------------|----------------|
| DRAWING NO.: | REV. NO.:     | SIZE:        | DRAWN BY:      |
| 201-005AA    | 0             | A3           | Sergio         |
| SCALE:       | TOLERANCES:   | REVIEWED BY: | CREATION DATE: |
| 1:1          | DS/ISO 2768-f | PHC          | 24-04-2018     |

MATERIAL DESCRIPTION:  
EN 6082, Acrylic, PE (20µ) Silver anodized according to EN ISO 7599 (50µ) Black anodized according to MIL-A 8625F

This Drawing, and the information within, is the property of Lopolight ApS and may not be used in any form without express permission there from. Lopolight reserves the right to change this drawing and assumes no liability for the information communicated herein. Use of dimensions and other information in this drawing is at the users own risk.



Lopolight ApS  
Bakkegaardsvej 513  
DK-3050, Humlebaek  
Denmark  
www.lopolight.com

Tel:(+45) 32 48 50 30 Fax:(+45) 32 48 50 32  
info@lopolight.com

