

300-036-PRO  
300-036-PRO-I (Ice class)

5 NAUTICAL MILES  
225° MASTHEAD LIGHT  
SINGLE, HORIZONTALLY MOUNTED

The LED light consists of a cluster of LEDs that produces light in the specified angle.

The Ice class version of the light features a built-in 25W heating element with a temperature sensor that activates when temperatures goes below 3°C. The De-icing is deactivated when temperatures increases to 15°C.

The precision machined 6082 aluminium housing with an anodized surface makes the light a rugged and durable housing for the LEDs and electronics contained within.

The interior is completely filled with a special potting resin making it water- and vibration proof.

Produced in our in-house manufacturing facility to meet and exceed exacting standards such as EN14744 and UL1104, under a quality management system continuously surveyed by Lloyds Register Quality Assurance.

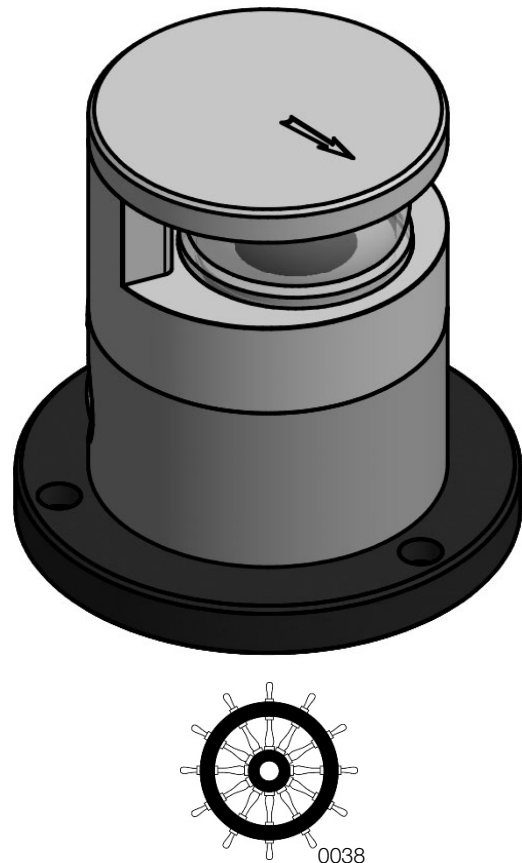
Each light is subjected to final testing for a minimum of 16 hours of continuous operation bringing the total test time beyond 24 hours.

This navigation light is in compliance with the following standards:

- COLREG72
- EN14744
- IEC 60945
- USCG (UL1104)

Together with an appropriate Control & Monitoring System, such as Lopolight's own NLC\* this navigation light can form part of an IMO MSC 253(83), LY3 and LY4 compliant system.

\*) information found here: [www.lopolight.com/NlcPanel](http://www.lopolight.com/NlcPanel)



## Technical specifications

Vessel size: 20m - 50m (65' - 164')

Visibility: >5 nautical miles

Intensity: >52 cd

Power consumption:

300-036-PRO: 7 Watt; Current: 0,29A @24 VDC

300-036-PRO-I: 7 Watt / 32 Watt; Current: 0,29A / 1,3A @ 24 VDC

Operating voltage:

300-036-PRO: 19 - 32 VDC

300-036-PRO-I: 19 - 32 VDC

Number of LEDs: 3

Light colour: **White**

Operating temperature:

300-036-PRO: -25°C to +55°C

300-036-PRO-I: -60°C to +55°C

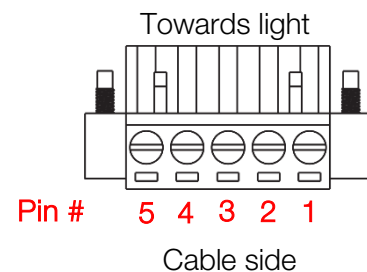
IP Rating: **IP68**

Mounting: **Horizontal**

Cable entry: 4 M20x1.5 thread borings for cable glands located on the side and bottom (see drawing for details).

Connector: **Accepts leads between 0,25 - 4mm<sup>2</sup> / 12 - 24 AWG.**

- Pin 1 - Power
- Pin 2 - GND
- Pin 3 - Not used
- Pin 4 - Not used
- Pin 5 - Not used



Certification: The product is certified by Lloyds (LR) and certificates can be found on [www.lopolight.com](http://www.lopolight.com) under certificates.

The product is in compliance with the following standards:

**COLREG72/ EN14744 / IEC 60945 / USCG (UL1104)**

Dimensions: **See drawing**

Weight: **1,34kg**

## Warranty:

Lopolight products are covered by a 5-year limited warranty.

Warranty conditions can be found on [www.lopolight.com/Service](http://www.lopolight.com/Service)

Included in the package:

- 1 pc. Navigation light on 400-034 aluminium base
- 1 pc. HDPE base plate
- 3 pcs. M6x14 screw
- 1 pc. M20x1.5 cable gland (cable diameters 7 – 13mm / 0.23' - 0.51')
- 3 pcs. M20x1.5 blinding cap
- 1 pc. Connector plug, 5 PIN
- 1 pc. M20/M16 reduction kit (cable diameters 4,5 – 10mm / 0.18' - 0.39')
- Installation instructions

## Ordering information

| BASE OPTION                           | PART NUMBER<br>BLACK FINISH |
|---------------------------------------|-----------------------------|
| 400-034<br>(drawing A - D)<br>CS base | 300-036-PRO                 |
| 400-034<br>(drawing A - D)<br>CS base | 300-036-PRO-I               |

## Cabling options

### 300-036-PRO

| Cable length   | Part number |
|--|-------------|
| 2m / 6.6' 2-lead 0,5mm <sup>2</sup> / 20AWG cable with connector   | 400-300-2M  |
| 4m / 13.1' 2-lead 0,5mm <sup>2</sup> / 20AWG cable with connector  | 400-300-4M  |
| 6m / 19.7' 2-lead 0,5mm <sup>2</sup> / 20AWG cable with connector  | 400-300-6M  |
| 10m / 32.8' 2-lead 0,5mm <sup>2</sup> / 20AWG cable with connector | 400-300-10M |
| 12m / 39.4' 2-lead 0,5mm <sup>2</sup> / 20AWG cable with connector | 400-300-12M |
| 15m / 49.1' 2-lead 0,5mm <sup>2</sup> / 20AWG cable with connector | 400-300-15M |
| 20m / 65.6' 2-lead 0,5mm <sup>2</sup> / 20AWG cable with connector | 400-300-20M |

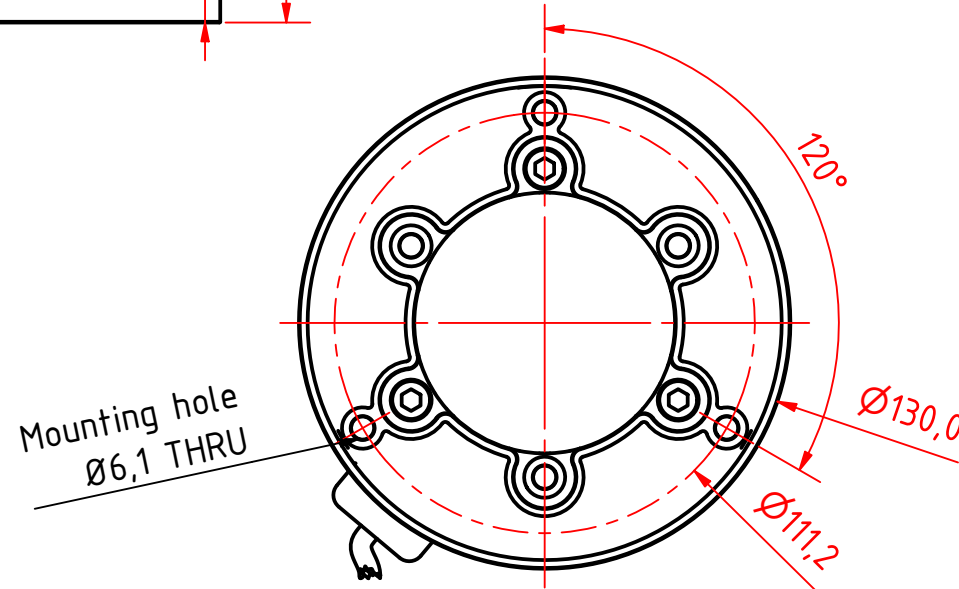
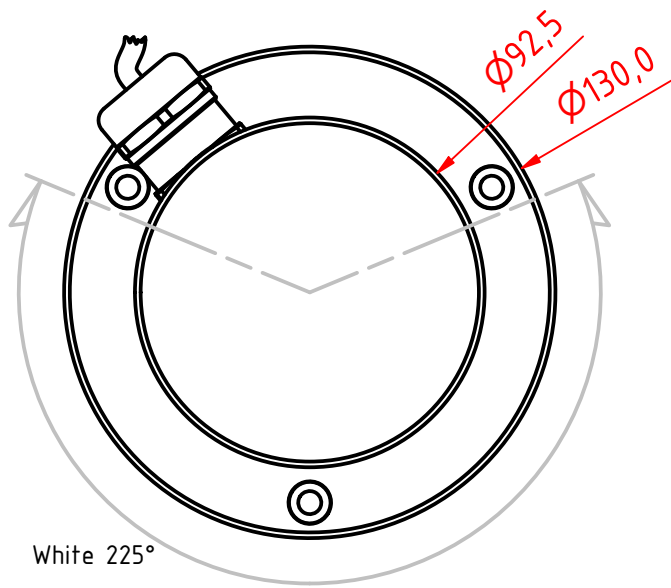
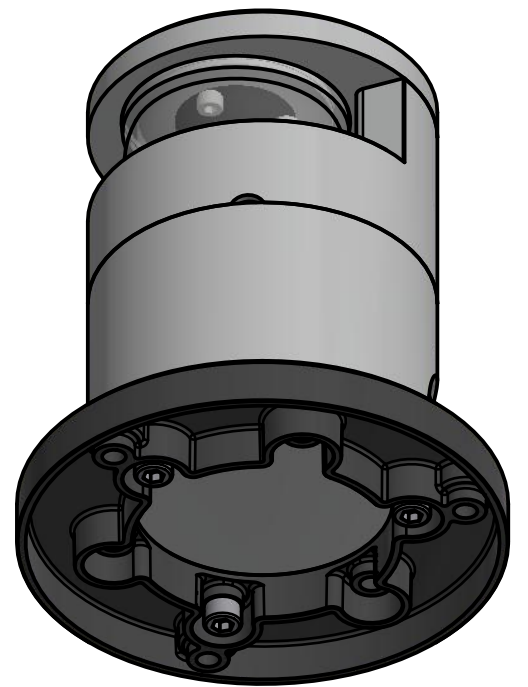
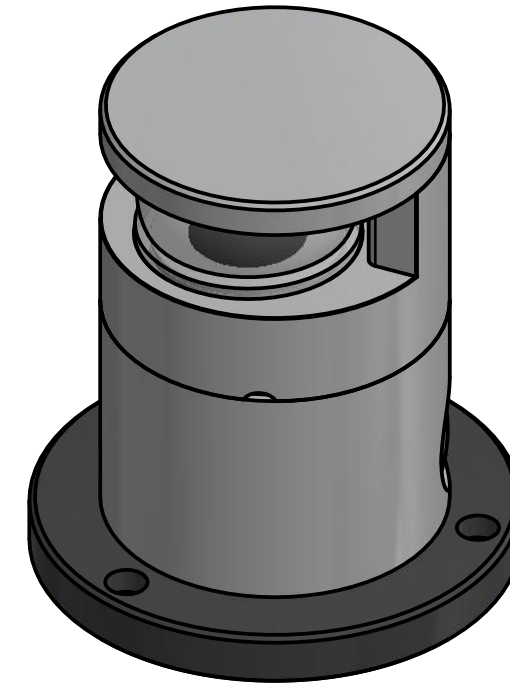
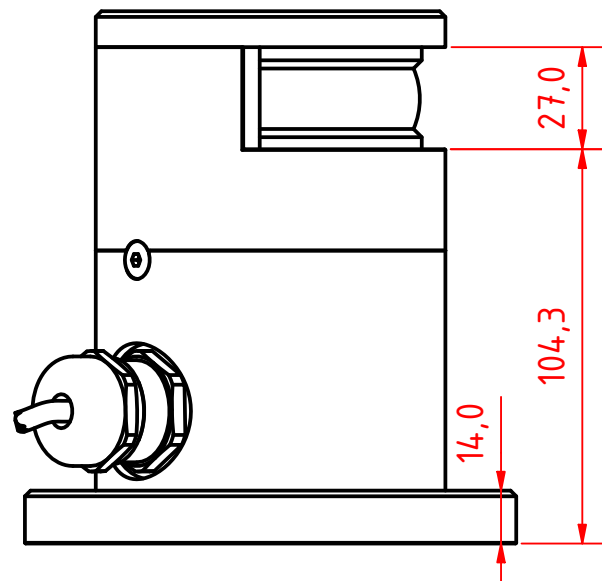
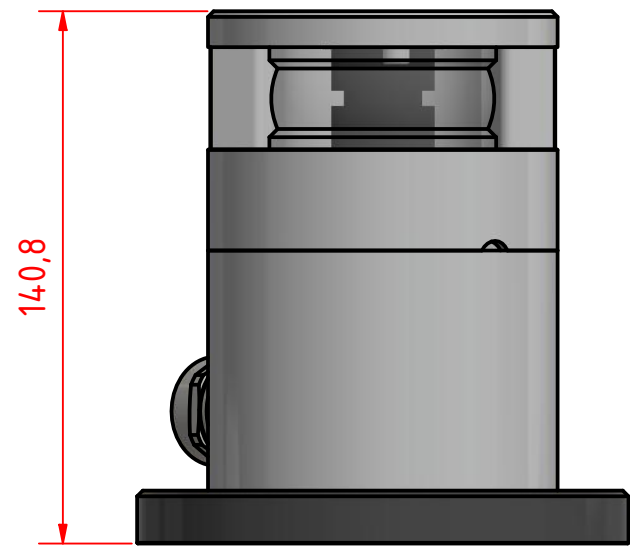
Please refer to our cable dimensions chart in regard to which cable size to use if any other lengths than listed above is required.

<https://lopolightwebcontent.blob.core.windows.net/downloads/lopolight%20cable%20dimensions%20chart.pdf>

### 300-036-PRO-I

Please refer to our cable dimensions chart in regard to which cable size to use when installing Ice class lights.

<https://lopolightwebcontent.blob.core.windows.net/downloads/lopolight%20cable%20dimensions%20chart.pdf>



Rev1 06/02/2018 Adding the PRO series sheet.

**300-036, Masthead light 5 nm for vessels  
20-50 meter, PRO-Series Promount,  
400-401 PE Base plate, cable side**

|                                  |                                     |                    |                                     |
|----------------------------------|-------------------------------------|--------------------|-------------------------------------|
| DRAWING NO.:<br><b>300-036GA</b> | REV. NO.:<br><b>1</b>               | SIZE:<br><b>A3</b> | DRAWN BY:<br><b>Sergio</b>          |
| SCALE:<br><b>1:2</b>             | TOLERANCES:<br><b>DS/ISO 2768-f</b> | REVIEWED BY:       | CREATION DATE:<br><b>28-11-2014</b> |

MATERIAL DESCRIPTION:  
**Alu EN 6082, Acrylic, PE** (20µ) Silver anodized according to EN ISO 7599  
(50µ) Black anodized according to MIL-A 8625F

This Drawing, and the information within, is the property of Lopolight ApS and may not be used in any form without express permission there from. Lopolight reserves the right to change this drawing and assumes no liability for the information communicated herein. Use of dimensions and other information in this drawing is at the users own risk.



Lopolight ApS  
Bakkegaardsvej 513  
DK-3050, Humlebaek  
Denmark

Tel: (+45) 32 48 50 30 Fax: (+45) 32 48 50 32  
info@lopolight.com

